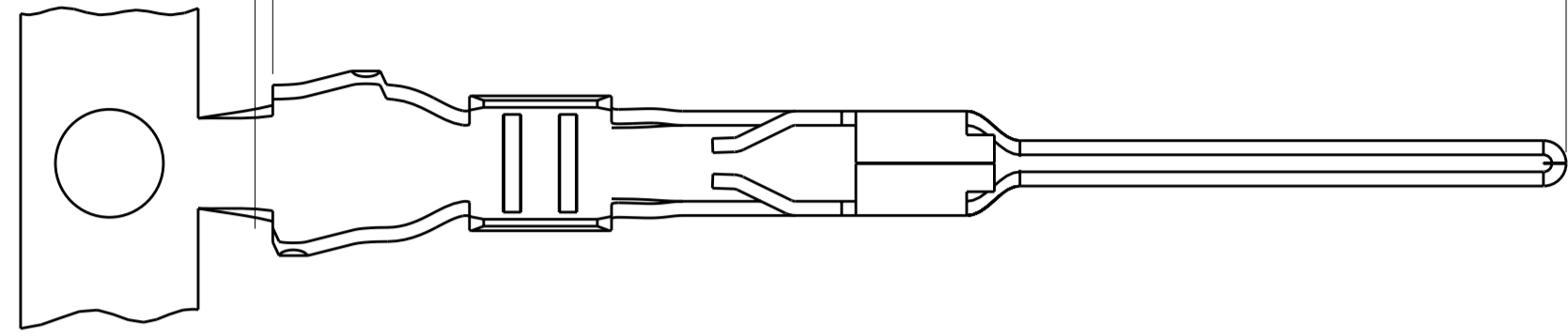


THIS DRAWING IS UNPUBLISHED. RELEASED FOR PUBLICATION 20  
 © COPYRIGHT 20 BY - ALL RIGHTS RESERVED.

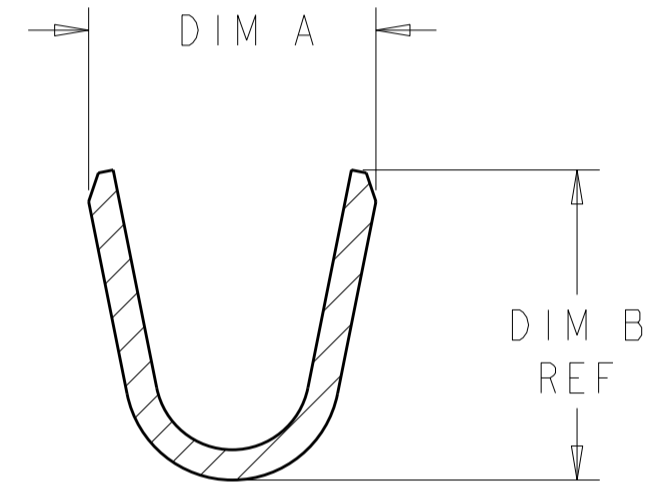
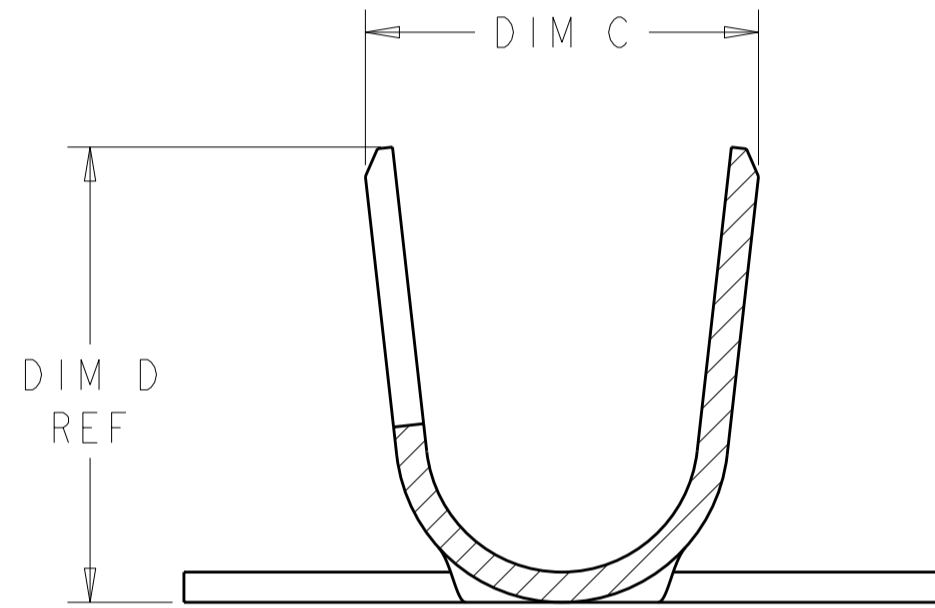
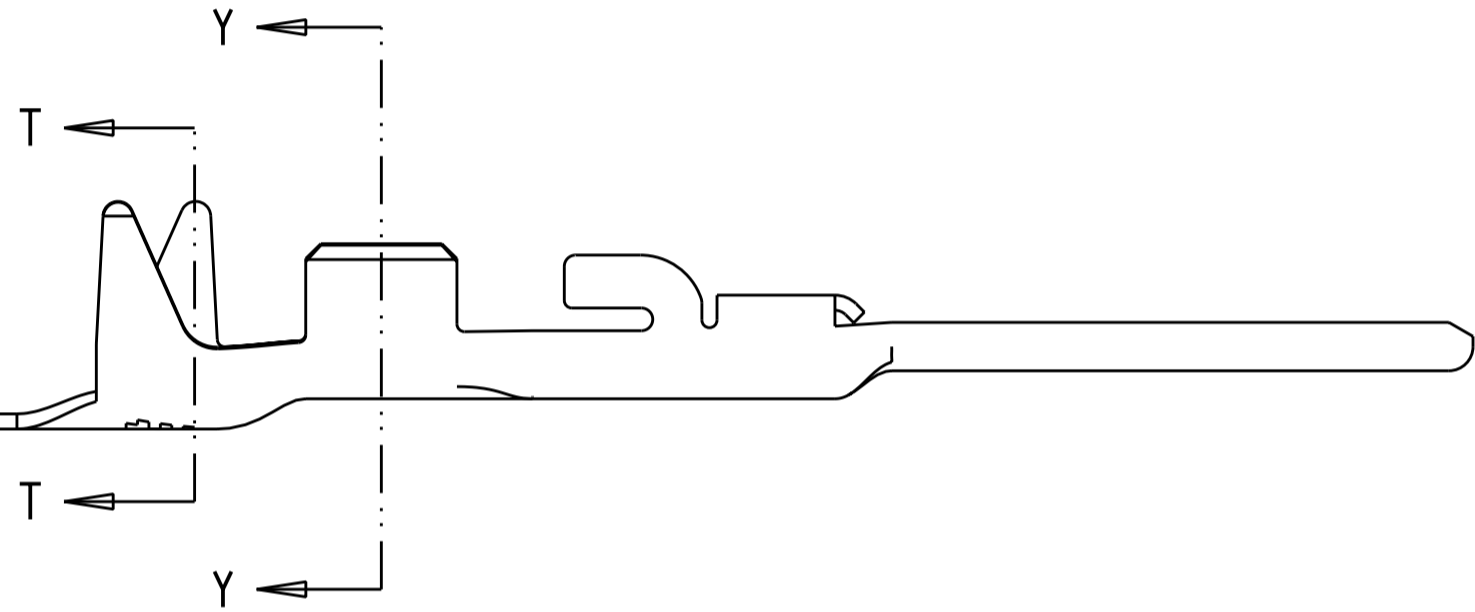
LOC	DIST	REVISIONS					
-	-	P	LTR	DESCRIPTION	DATE	DWN	APVD
		A3		REVISED PER ECO-11-004820	11MAR2011	RK	HMR
		A4		REVISED PER ECR-11-014651	20JUL2011	RK	DD
		A5		REVISED PER ECR-11-016987	5SEP2011	RS	DD

0.25 MAX CUT-OFF

DIM E REF

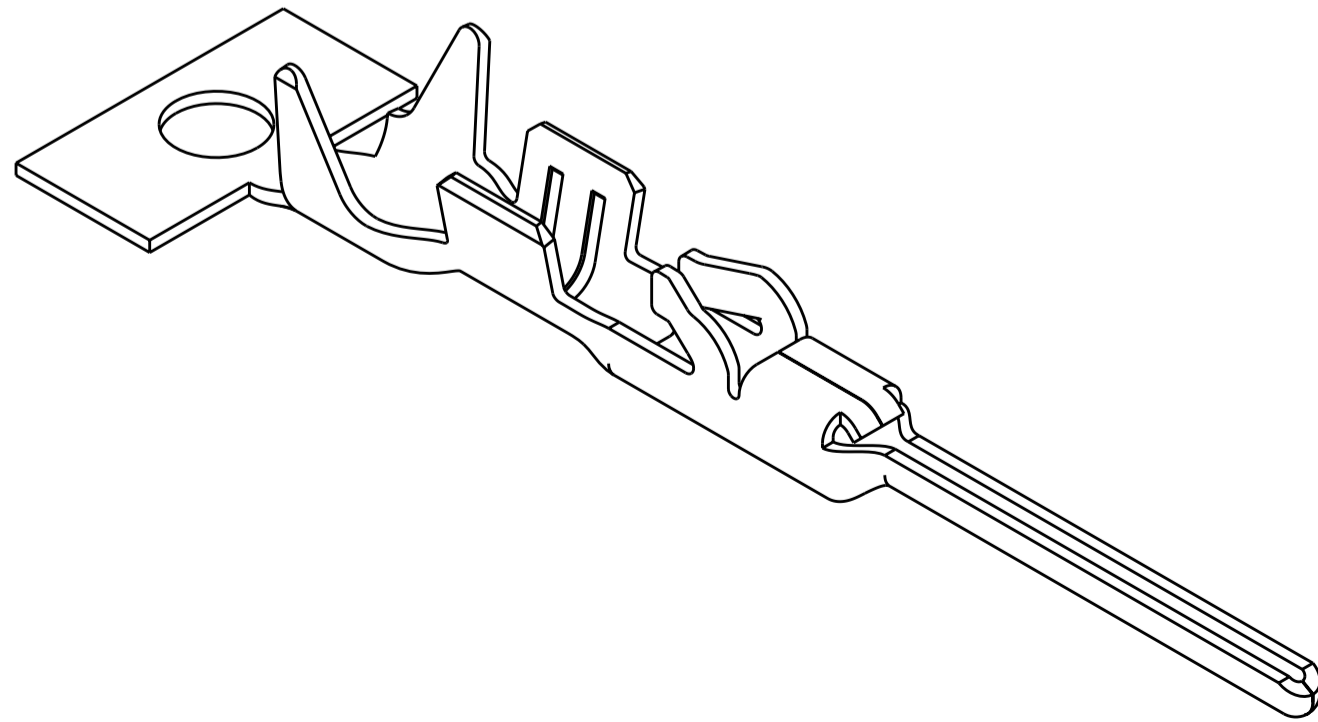
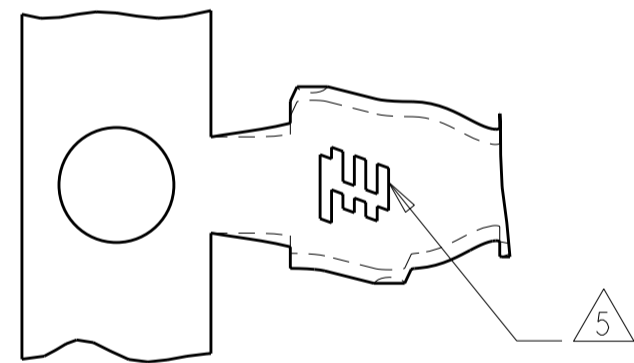


- ① BRASS, 0.20 THK. REF
- ② NICKEL UNDERPLATE OVER ALL
- ③ 0.00254 MIN THK BRIGHT TIN ENTIRE CONTACT OVER NICKEL UNDERPLATE
- ④ 0.00038 THK GOLD STRIPE
- ⑤ TE CONNECTIVITY LOGO LOCATED APPROXIMATELY AS SHOWN
- ⑥ 0.000762 THK GOLD STRIPE



SECTION T-T  
SCALE 20:1

SECTION Y-Y  
SCALE 20:1



18.24	2.40	2.60 2.20	1.55	1.96 1.57	1.30 - 1.60	22-24 AWG	ON REEL	⑥	3-2106124-3
18.24	2.40	2.60 2.20	1.55	1.96 1.57	1.30 - 1.60	22-24 AWG	LOOSE PIECE	② ③	2-2106124-7
18.24	2.40	2.60 2.20	1.55	1.96 1.57	1.30 - 1.60	22-24 AWG	ON REEL	② ③ ④	2-2106124-3
18.24	2.40	2.60 2.20	1.55	1.96 1.57	1.30 - 1.60	22-24 AWG	ON REEL	② ③	2-2106124-2
18.24	3.01	2.80 2.40	2.05	2.32 1.92	1.70 - 2.10	18-20 AWG	LOOSE PIECE	② ③	2106124-9
18.24	3.01	2.80 2.40	2.05	2.32 1.92	1.70 - 2.10	18-20 AWG	ON REEL	② ③ ④	2106124-3
18.24	3.01	2.80 2.40	2.05	2.32 1.92	1.70 - 2.10	18-20 AWG	ON REEL	② ③	2106124-2
DIM E	DIM D	DIM C	DIM B	DIM A	INSULATION DIA	WIRE RANGE	REMARKS	FINISH	PART NO

THIS DRAWING IS A CONTROLLED DOCUMENT.		DWN R BROWN 05MAR2009	TE Connectivity	
		CHK A BUCHER 05MAR2009		
DIMENSIONS:	TOLERANCES UNLESS OTHERWISE SPECIFIED:	APVD -	NAME CONTACT, TAB, CRIMP SNAP-IN SLIM SEAL SSL	
mm	0 PLC ± 1 PLC ± 2 PLC ±0.13 3 PLC ± 4 PLC ±	PRODUCT SPEC 108-2391	SIZE A200779	
	ANGLES ±° FINISH	APPLICATION SPEC 114-13261	DRAWING NO C-2106124	
MATERIAL	①	WEIGHT -	RESTRICTED TO -	
	SEE NOTES	CUSTOMER DRAWING	SCALE 10:1 SHEET 1 OF 1 REV A5	